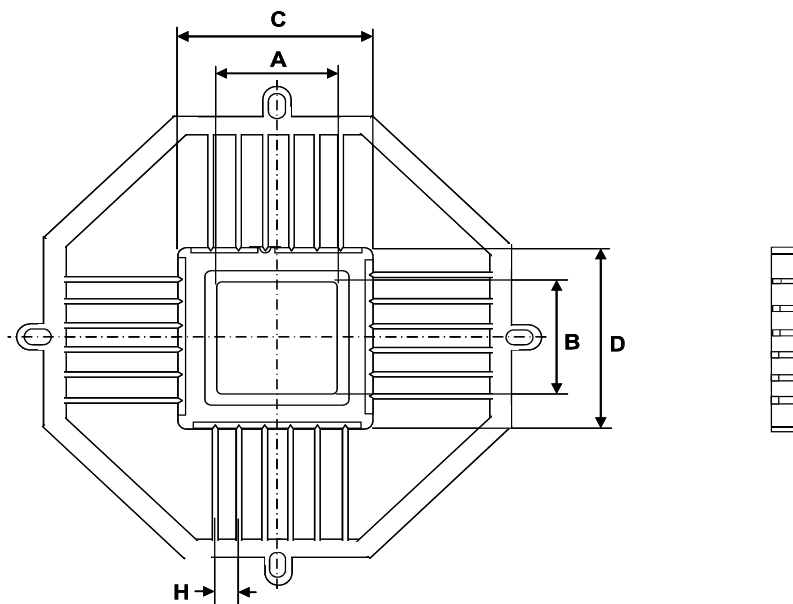


KYOCERA C-QFP (CERAMIC QUAD FLAT PACKAGES)



Unit: mm

#=Connected pin number
 N=No Metallization
 0=No Connection

R0163E

LEAD COUNT	CAVITY		OVERALL C x D	LAYER THICKNESS				LEAD PITCH H	KYOCERA CERAMIC MATERIAL CODE A440: Black A473: White	CONNECTION		DRAWING NUMBER
	DIE CAVITY A x B	W/B TIER SINGLE(S) DOUBLE(D)		1ST	2ND	3RD	TOTAL			SEAL RING	DIE ATTACH	
132	11.43SQ	S	24.13SQ	0.64	0.51	-	1.91	0.64	A440	0	0	PB-F86259-A

* Contents in this list are subject to change without notice. It is recommended to confirm the latest information at the time of usage.
 We may not be able to accept requests based on old list.